



Bringing it all together

Addendum

BT Diverse 7100/7200/7400 Charger wall mounting instructions

! The screws supplied to wall mount your BT Diverse 7100/7200/7400 charger will NOT be suitable for all wall types. BT recommends that you seek advice from a building professional before attempting to wall mount your phone. BT are not responsible for any damage/injury caused while attempting to wall mount your phone.

Before you wall mount, please check that:

- the wall can support the weight of the charger and phone
- you are not drilling into any hidden wiring or pipes
- the power adaptor cable will reach the power socket in your wall

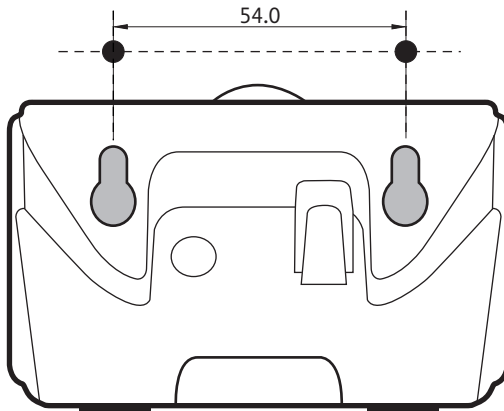
Please
turn
over





Wall mounting the handset and charger

1. Drill 2 holes in the wall approximately 54mm horizontally apart. Use a 5mm drill bit if you will be inserting the supplied wall plugs. A small pilot hole only is required for fixing screws into timber. Use the wall mounting bracket as a template if necessary.



2. Insert the wall plugs if using them and then insert the screws leaving about 2.5mm protruding from the wall on which to hang the phone.
3. Plug the power adaptor into the back of the charger.
4. Slide the charger onto the 2 protruding screws and push down to fix into position making sure it is securely in place.

