

Up to 200 Mbps Powerline Adapter



User Guide



www.comtrend.com

1.-INTRODUCTION

This user guide provides a description of the physical user interface of the Comtrend Corporation's DH-10PF In-Home Powerline adapter.

The DH-10PF Powerline Adapter incorporates a female pass-through socket, with the purpose of allowing the direct connection of the adapter to a wall power outlet.

The DH-10PF Powerline Adapter provides a link between the Powerline network and a Fast Ethernet 10/100Mbps port and an auxiliary filtered output for other appliances. The design is such that on one hand it avoids limiting the mains socket just for Powerline Adapter purposes and on the other hand provides a filtered socket to avoid the adverse effects of appliances connected to it.

1.1.- PACKAGE CONTENT

The DH-10PF Powerline Adapter is already configured to be used following the instructions from the INSTALLATION GUIDE.



2.- PHYSICAL DESCRIPTION

BUTTONs

ON/SBY

Used to switch the Powerline Adapter between ON and STANDBY (Minimum Power Consumption). Pressing the button again will turn on the Adapter. By Default Powerline Adapter is ON when plugged.

CONFIG/ F.RESET

Used to implement "One Button Security Setup" and "Factory Reset" features.

LEDs

STATUS

This LED indicates if Powerline adapter is powered ON/STANDBY and shows the application throughput level available in the link ("Throughput Indicator").

LOW RED

Standby Mode

RED

Throughput application <4Mbps

ORANGE

Throughput application <4Mbps <10Mbps

GREEN

Throughput application >10Mbps

ETHERNET

This LED indicates whether an Ethernet cable is connected or traffic is being transmitted / received.

GREEN

ON

Ethernet Cable is connected

BLINKING

Receiving / Transmitting data.

OFF

No Ethernet Cable connected

AP

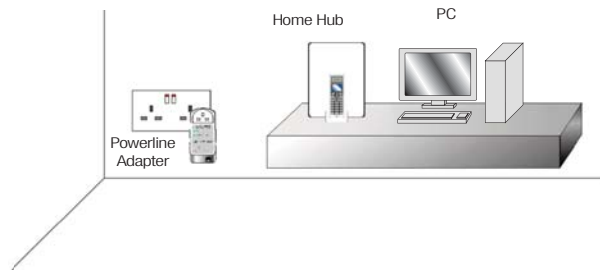
This LED indicates whether the device is configured as AP (Access Point) or EP (End Point).

ORANGE ON	Adapter configured as AP (Orange Light)
OFF	Adapter configured as EP (End Point)
BLINKING	AP in searching mode or EP in configuration Mode.
3 FLASHES	AP has exchanged keys with EP and it has finished its configuration.

3.- INSTALLATION GUIDE.

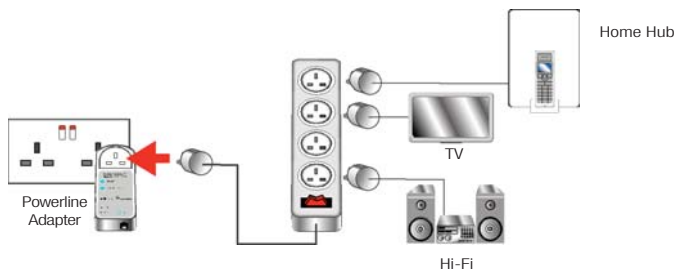
STEP 1: PLUG IN ONE OF THE POWELINE ADAPTER

Identify a main socket near your Home Hub and switch it OFF. Plug one of the Powerline Adapter into this main socket as shown in the picture below.



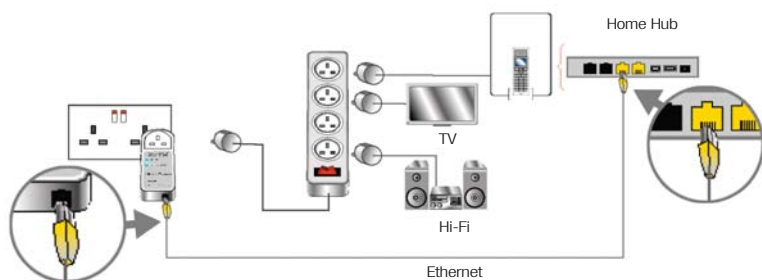
STEP 2: ARE YOU GOING TO USE A POWER STRIP?

Please make sure that the Powerline Adapters Plug into the mains socket. Plug the Power Strip directly into the Powerline Adapter as shown in the picture below and plug any device such as (TV, video recorder, hi-fi, Home Hub) into the power strip.



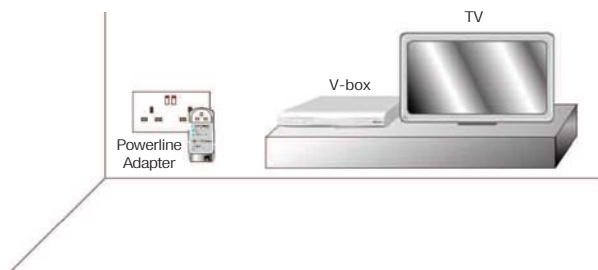
STEP 3. CONNECTING THE POWERLINE ADAPTER TO THE HOME HUB.

Plug the Ethernet cable provided with the Powerline Adapter into one of the Ethernet Port of the Home Hub, we recommend you use PORT 1. Connect the other end of the Ethernet cable to the LAN port of the Powerline Adapter as shown in the picture below.



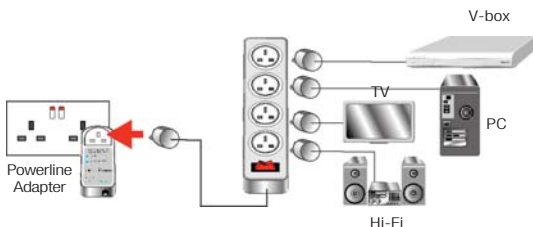
STEP 4. PLUG IN THE OTHER POWERLINE ADAPTER

Identify a main socket near your V-Box and switch it OFF. Plug the other Powerline Adapter into the mains socket as shown in the picture below.



STEP 5: ARE YOU GOING TO USE A POWER STRIP?

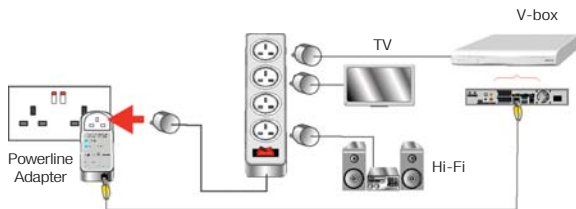
Please make sure that the Powerline Adapters Plug into the mains socket. Plug the Power Strip directly into the Powerline Adapter as shown in the picture below and plug any device such as (TV, video recorder, hi-fi, V-Box, etc) into the power strip.



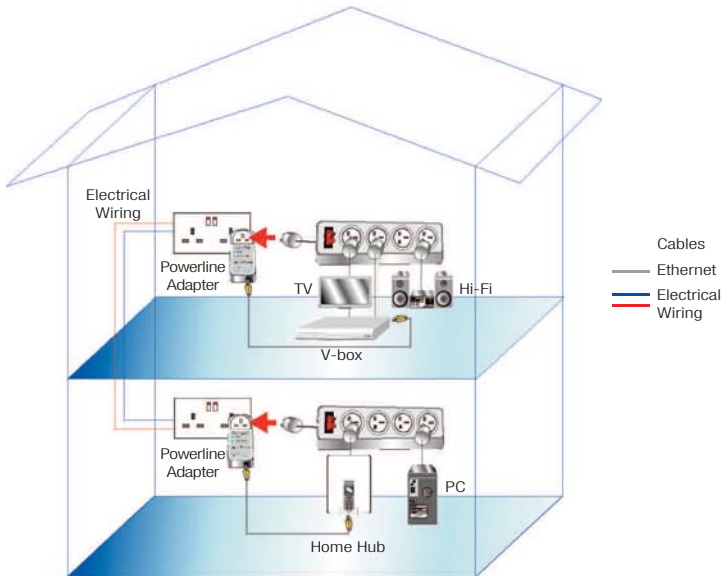
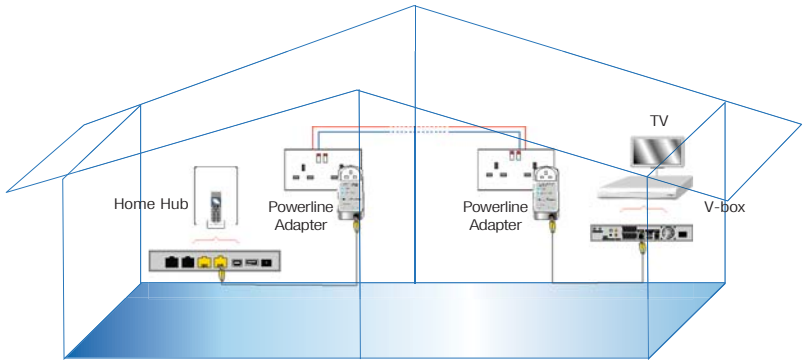
STEP 6. CONNECTING THE POWERLINE ADAPTER TO THE V-BOX

Plug in one end of the Ethernet cable to the Ethernet port of the V-Box (we recommend you use PORT 1) and the other end of the Ethernet cable to the LAN port of the Powerline Adapter as shown in the picture below.

Switch ON the mains socket now.



4. SET UP DIAGRAM



TROUBLESHOOTING

The Powerline Adapter has been designed to be a reliable and easy-to-use home network device. However, should you experience any problems, please refer to the list below to aid in troubleshooting.

Ethernet LED is OFF	Check that the Ethernet cable is correctly plugged in both Powerline Adapters.
There is more than one Powerline Adapter with AP led ON	If there is more than one AP LED ON, it means that key exchange process has failed. 1. - Perform a Factory Reset on one of the Powerline Adapters. (See Appendix I for Factory Reset procedure). Status Led is RED. 2. - Repeat network configuration procedure again (See Appendix II)
STATUS LED is RED	If the indicator STATUS is red, this means that the Powerline Link is not able to play a video Stream. 1. - Try to reposition the Powerline Adapter in other wall outlet in order to obtain a ORANGE or GREEN indication. 2.- Plug the Power Strip directly into the female plug of the Powerline Adapter (Please refer to the Installation Guide section)

FACTORY RESET PROCEDURE



1.- Press "CONFIG /F. RESET button for about 10 seconds.



2.- AP indicator will be blinking.

When AP indicator switches OFF, release the button.



3.-After 5 seconds, STATUS indicator will be also OFF.

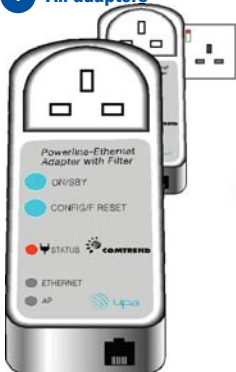
4.- At this time, the Adapter resets its configuration to factory default settings and auto-reboots.

5.- The Adapter boots successfully and is configured as a new EP.

APPENDIX II

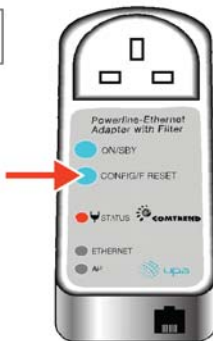
NETWORK CONFIGURATION PROCEDURE

1 All adapters



Plug in all the adapters to be configured.

2 1 st Adapter



Select first adapter to be configured as AP. Press Config button until AP indicator starts flashing.

3 1 st Adapter



Wait until the AP indicator stops flashing.

4 1 st Adapter



The AP indicator remains ON and is now ready to start registering new adapters.

5 1 st Adapter



Press Config button until its AP indicator starts flashing and...

6 New Adapter



... press Config button in the new adapter until AP indicator starts flashing.

7 New Adapter



The new adapter AP indicator flashes 3 times and turns OFF indicating that it is securely configured.

8 New Adapter



AP indicator of the new adapter remains OFF and its Status indicator shows the link quality level.

9 1 st Adapter



 30 Secs.

After registering the new adapter the AP indicator of the 1st. adapter remains ON and its Status indicator shows the link quality level.

Product disposal instructions



The symbol shown here and on the product means that the product is classed as Electrical or Electronic Equipment and should not be disposed with other household or commercial waste at the end of its working life.

The Waste of Electrical and Electronic Equipment (WEEE) Directive (2002/96/EC) has been put in place to recycle products using best available recovery and recycling techniques to minimize the impact on the environment, treat any hazardous substances and avoid the increasing landfill.

Product disposal instructions for residential users

When you have no further use for it, please remove any batteries and dispose of them and the product as per your local authority's recycling processes. For more information please contact your local authority or the retailer where the product was purchased.

Product disposal instructions for business users

Business users should contact their suppliers and check the terms and conditions of the purchase contract and ensure that this product is not mixed with other commercial waste for disposal.

Product Model: DH-10PF UK (Female)

**COMTREND**

DECLARATION OF CONFORMITY

Data of the Applicant:

Manufacturer: Comtrend Corporation
Name: Harold Fitch
Address: Edificio América II, C/Proción, 7: Portal 3: Bajo H; 20823 Madrid
Phone No: +34 91 799 04 03
IVAN: ESN7361005G

Data of the Product:

Functional description: Wall-Plug Powerline to Ethernet Adapter
Mark: Comtrend
Model: DH-10PF-UK

Directive applied and standard used:

2004/108/EC	EN 55022:1998 + A1:2000 + A2:2003
	EN 55024:1998 + A1:2001 + A2:2003
	EN 61000-3-2:2000 + A2:2005
	EN 61000-3-3:1995 + A1:2001
	CISPR11/89/CD
2006/95/ EC	EN 60950-1:2001 + A11:2004

This certificate is guaranteed by test report ICEM_COM071201 and by evaluation report LSAE_COM070901, issued by ENAC accredited laboratories ICEM and LSAE for tests indicated in certificate number 190/LE1113-4, where product is referred to as DH10PF-UKF. And also by test reports KTL 7C0155CGB1, issued by UKAS accredited testing laboratory KTL No. 0971, as well as test report No. 0728164/Issue 2, issued by UKAS accredited certification laboratory Intertek C & E No. 010

This certificate is based on a single evaluation of one sample of above mentioned product. It does not imply an assessment of the whole production.

Emission date: 07/11/07

Signature
Printed Name: Harold Fitch
Position/Title: General Manager

Up to 200 Mbps Powerline Adapter



User Guide

